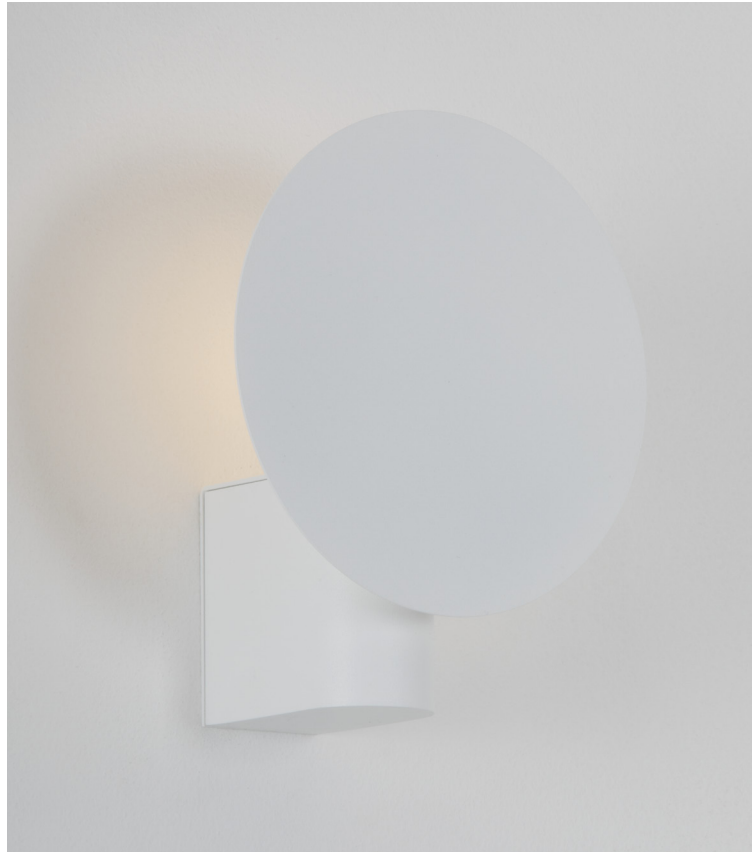


STIP



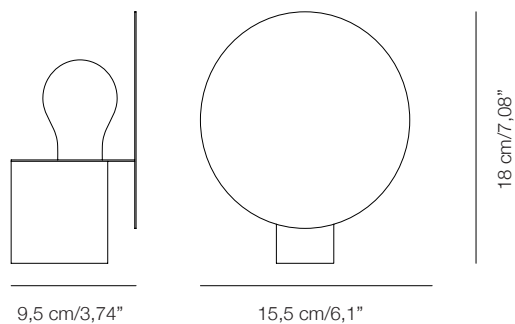
Angel Wall lamp - with lampshade

Designed by Elia Mangia

Angel is a simple and precious lamp that will fit into any space with character and discretion. It is made from a solid block of aluminium and has an E27 lamp holder, which can house the most appropriate bulb for your space.

It is available in two versions: as a source of direct light, without any screen over the light, or as indirect ambience lighting, with an elegant lampshade.

Dimensions:



Colour: Mat white

Material: Powder coated solid aluminium and iron

Weight: 0,51 Kg

Socket: 1 x E27

Bulb: max 28W / not included

Suggested bulb: Led

Voltage/frequency: 220-240 V / 50 Hz

Certificate: CE

Specifications: IP 20, class I

Code	Colour
ANG9016L	White Ral 9016

Made in Italy

S T I P

Via Savona 97 20144 Milan Italy T +39 02 83474426
www.stipbystip.com info@stipbystip.com
Instagram, facebook and Pinterest: stipbystip

Sales Contact: info@stipbystip.com

All intellectual property rights such as trademarks and copyrights are reserved